

Topology DS103

Display Guide





Topology DS103 Display Guide

Contents

- PRODUCT DETAILS2**
 - PRODUCT NAME 2
 - FEATURES 2
 - DIMENSIONS & MATERIALS..... 2
 - Materials*..... 2
 - Dimensions*..... 2
 - ELECTRICAL SPECIFICATIONS 3
- QUICK START GUIDE4**
- FUNCTIONALITIES1**
 - POWER ON/ OFF 1
 - NAVIGATION 1
 - SWITCH DASHBOARD 1
 - ASSIST LEVEL OPERATING 2
 - DARK & LIGHT THEMED DASHBOARD..... 2
 - WALK ASSIST 3
 - SETTINGS..... 3
 - CLEAN TRIP DATA 4
- ERROR CODES4**
- INSTALLATION4**
 - COMPATIBILITY 5
 - PIN LAYOUT 5
 - CERTIFICATION..... 6



Product Details

Product Name

Intelligent LCD display, model : DS103

Firmware: CYCMotor Ltd specific

Features

- Simple and lightweight, separate installation bracket design
- High brightness, high contrast 3.5 inch coloured TFT screen
- Clock function (clock is on when the display shutdown)
- Excellent outdoor design with IP65 level waterproof
- Micro USB serial communication port, convenient maintenance services.

Dimensions & Materials

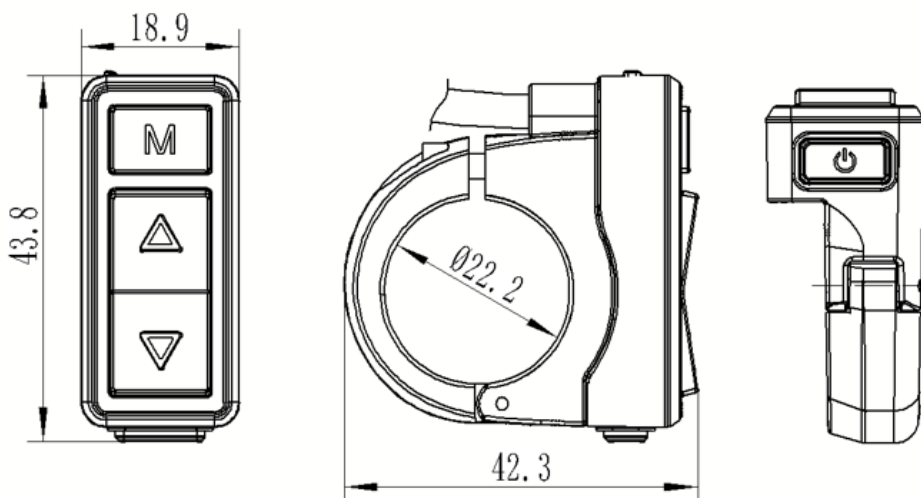
Materials

Product shell – ABS + PC plastic

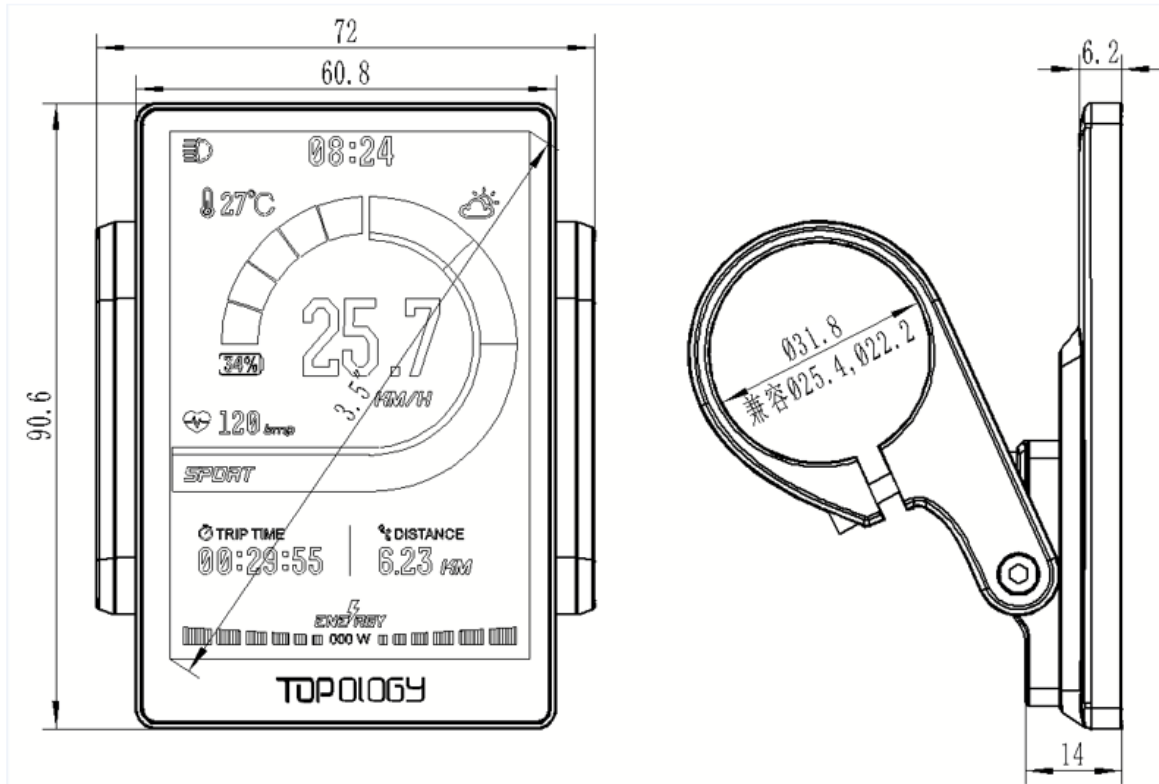
Transparent window – Tempered glass

Dimensions

L 110mm x W 68.2mm x H 68mm



The information contained in this document is derived from the TFT LCD Display Guide provided by Zhejiang Topology Intelligent Technology Co., Ltd. (otherwise known as Topology). All the information contained in this manual is published in good faith and for general information purpose only. Contact technical_support@cycmotor.com for further assistance.



Electrical Specifications

- Power supply : DC 24V/36V/48V/ 52V
- Rated current : 30ma/36V
- Shutdown leakage current : <1uA
- Screen specification : 3.5" colored TFT (480*320pixels)
- Communication method : UART (default)
- Operating temperature : -20°C ~ 60°C
- Storage temperature : -30°C ~ 80°C
- Waterproof level : IP65

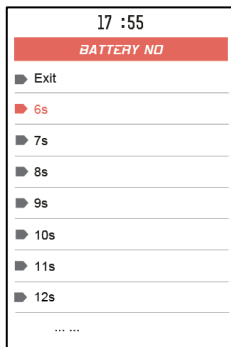


Quick start guide

After unboxing and installing your CYC motor system, there are two main things you need to set up.

1. Change your Battery No. setting according to your rated voltage.

Within 15 seconds of turning on your display, long press the MENU button to enter the settings functions. Press UP/ DOWN to navigate the settings page & MENU to select.



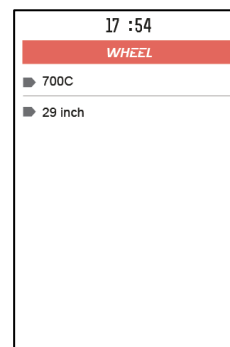
6s = 22.2V
 7s = 25.9V
 8s = 29.6V

9s = 33.3V
 10s = 36V
 11s = 40.7V

12s = 44.4V
 13s = 48V
 14s = 52V

*Please note that 6s to 9s is not compatible with the CYC systems. This will be removed in future batches. Our apologies for the confusion.

2. Change your Wheel setting according to your bike's wheel size.



3. Now, you can set things up like your temperature and speed unit as well as your brightness level. Otherwise, you're good to go!

The information contained in this document is derived from the TFT LCD Display Guide provided by Zhejiang Topology Intelligent Technology Co., Ltd. (otherwise known as Topology). All the information contained in this manual is published in good faith and for general information purpose only. Contact technical_support@cycmotor.com for further assistance.



Functionalities

Power On/ Off

Press and hold the POWER button for 3 seconds to turn the display on/ off.

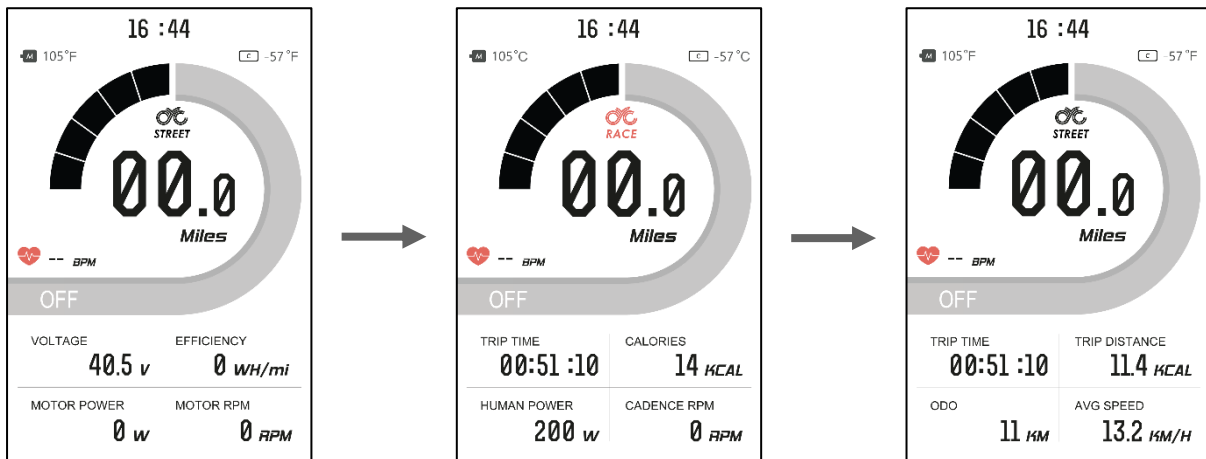
Navigation

The MENU button is used to go into your main settings page & your clear data page. It is also used to enter and select a setting or function.

1. POWER
2. MENU
3. UP
4. DOWN

Switch Dashboard

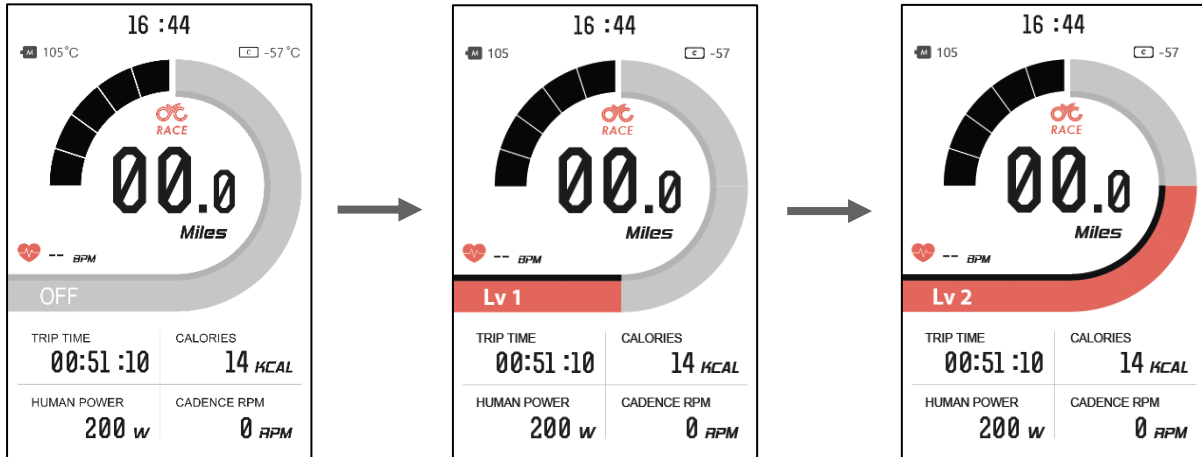
Switch the main dashboard to display different information by pressing the MENU button.





Assist Level Operating

Press the UP/ DOWN button to change the assist level between level 1, 2, and 3. Note that "OFF" means no motor assistance will be given.



Dark & Light Themed Dashboard

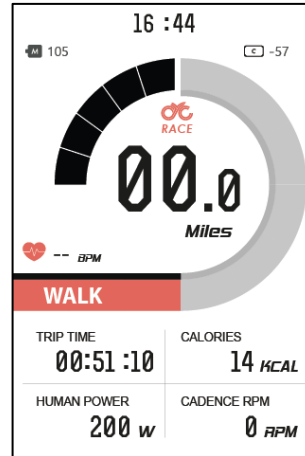
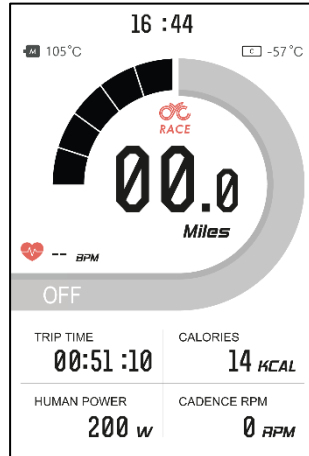
Long press the UP button to switch between light and dark themed dashboard.





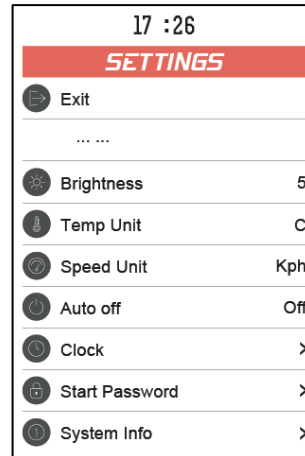
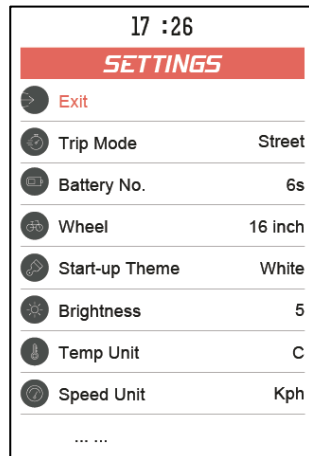
Walk Assist

Hold in the DOWN button to activate walk assist. Note that it takes 3 seconds to activate & will deactivate immediately when the button is released.



Settings

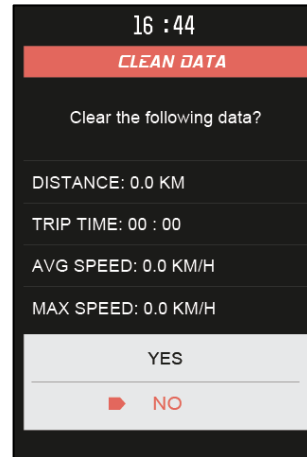
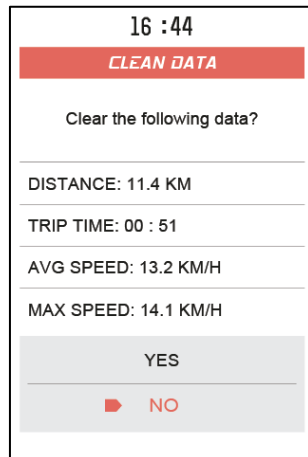
Long press the MENU button within 15 seconds of switching on the display to enter the “Settings” page. Note that once the system has been activated for longer than 15 seconds, you will need to restart the motor system to enter the settings menu.





Clean Trip Data

Wait 15 seconds after starting up the motor system to enter the “Clean Data” menu. Long press the MENU button to clear the previous trip data. Please note that the trip data does not automatically clear once you restart the motor system. This is a manual process.



Error Codes

In certain circumstances, an error code may appear on your display. Contact technical_support@cycmotor.com for assistance. *Error codes TBC

Installation

1. Determine if you need to select the corresponding mounting clamp and rubber clip ring according to the diameter of your handlebar (Applicable handlebar specifications : Φ 22.2 ; Φ 25.4 ; Φ 31.8).
2. Open the display lock clamp and insert the rubber clip (if applicable) into the correct position of the lock clamp.
3. Set the rubber ring in the bracket (if applicable) then assemble on the middle of the handlebar. You can adjust the angle of the display to make the display screen more visible when riding. After fixing the angle, tighten the screws. Tightening torque is 1N.m.
4. Open the lock ring of the switch and set it in the appropriate position on the left side of the handlebar. Adjust the angle and position of the switch as needed in order to ensure that you can operate the switch easily.

The information contained in this document is derived from the TFT LCD Display Guide provided by Zhejiang Topology Intelligent Technology Co., Ltd. (otherwise known as Topology). All the information contained in this manual is published in good faith and for general information purpose only. Contact technical_support@cycmotor.com for further assistance.



5. Fix and tighten the handlebar fixing screw with M3Hex wrench (locking torque is 0.8Nm).
6. Connect the display connector to the controller connector according to the label.

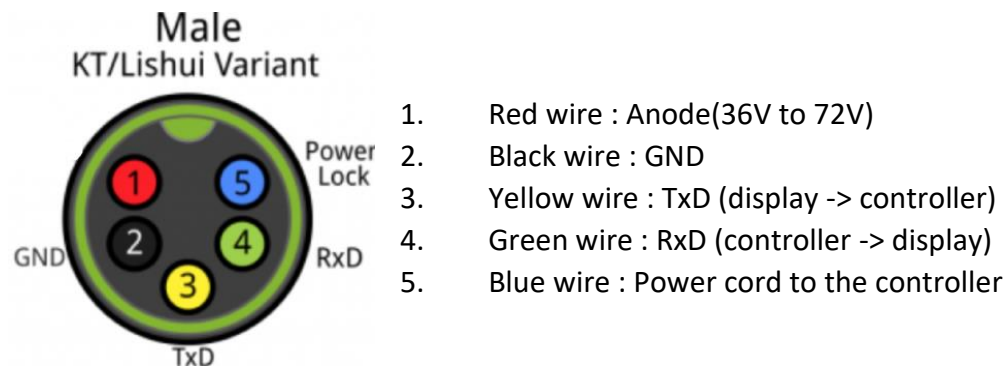
Note: Damage caused by excessive torque is not covered by the warranty.

Compatibility

The clamps are suitable for 3x different handlebar sizes: 31.8mm, 25.4mm, and 22.2mm.



Pin Layout



The information contained in this document is derived from the TFT LCD Display Guide provided by Zhejiang Topology Intelligent Technology Co., Ltd. (otherwise known as Topology). All the information contained in this manual is published in good faith and for general information purpose only. Contact technical_support@cycmotor.com for further assistance.



Certification

CE / IP65 (waterproof) / ROHS.

Be sure to contact technical_support@cycmotor.com if further assistance is needed.

THANK YOU!